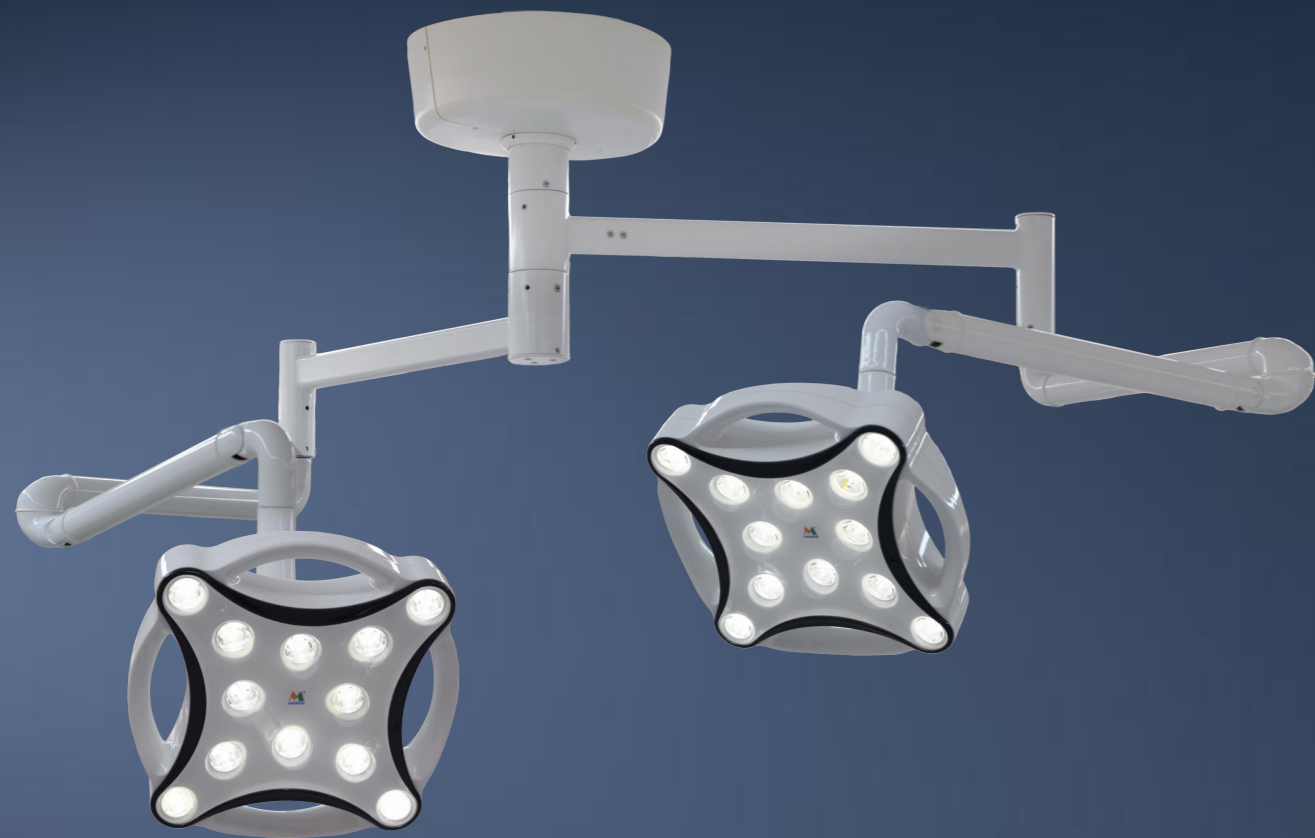




# JD1700 LED PROCEDURE LAMP



## Power. Clarity. Efficiency.

Exam lighting you can rely on when the stakes are high.

The JD1700 LED Procedure Lamp delivers 120,000 LUX of high-intensity illumination to perform minor procedures and examinations with accuracy. The lightweight and compact design make it easy to position the fixture for maximal efficiency. So you can stay focused on the task at hand.

- 18 precisely positioned LED optics deliver high-level illumination and superior shadow control
- Color temperature of 5,000K and a CRI of 96+ provide excellent color accuracy to distinguish between tissues
- The ergonomic handle is off-center to maximize the light field for broader examinations



Ideal for use in:

ICU Rooms • ED / Trauma Departments • Procedure and Exam Rooms  
 Labor and Delivery Units • Cosmetic Surgery Center • Veterinary Surgery Center  
 Gynecology And Delivery • Orthopedics Examination • Dental Surgery

NANCHANG MICARE MEDICAL EQUIPMENT CO.,LTD.  
 Tel: 86-791-88127989  
 Web: <https://micare-med.com/>  
 Code: 330096  
 Add: Yaohu West 5th Road, Hi-Tech Zone, Nanchang, Jiangxi, China

**CE ISO FDA**



**120,000  
LUX**



**Sensor Switch  
Intensity Control**



**96+  
CRI**

Reliable and safe –  
to simplify the everyday by specialists

Reliable surgical lighting is essential in clinics and Medical practices indispensable. The examination lights of MICARE make everyday work easier for examinations as well as in the preparation for the operation.



Efficient LED technology and flexibility  
for optimal support in daily practice

The examination lights bring the latest LED technology to the medical examination area and are characterized by their high mobility and the good positioning of the lamp body in the daily work.

Variable mounting –  
adaptable in any space

Ceiling mount, wall mount, rail clamp or Mobile stand: The examination light JD1700 is flexible can be used and covers all space requirements.



Benefits for your  
environmental balance

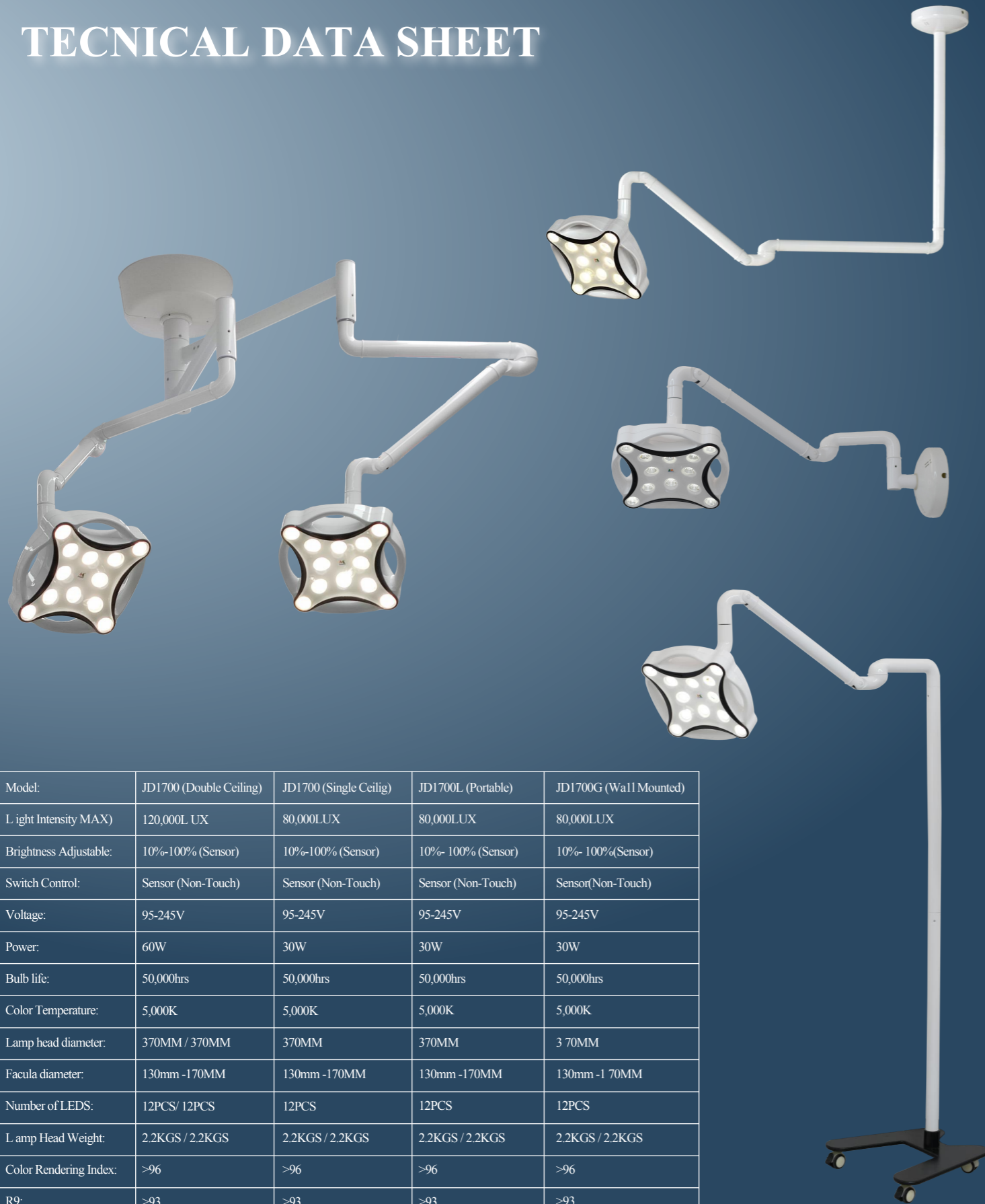
For everyone who is already thinking about tomorrow today JD1700 the light of choice. simply because they not only provide optimal wound field illumination



Many advantages for your benefit

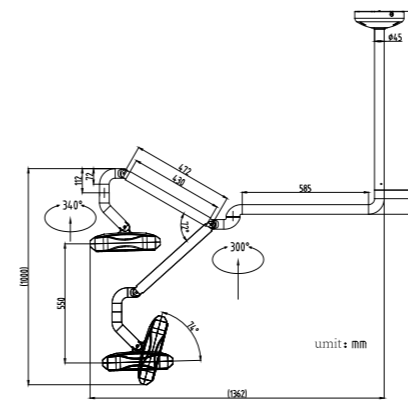
- modern LED technology
- Outstanding light output and efficiency
- long service life of the LEDs
- easy handling
- functional and ergonomic design
- comfortable positioning
- ergonomic handle
- light weight
- Completely closed lighting system
- easy cleaning
- high standard of hygiene

# TECNICAL DATA SHEET

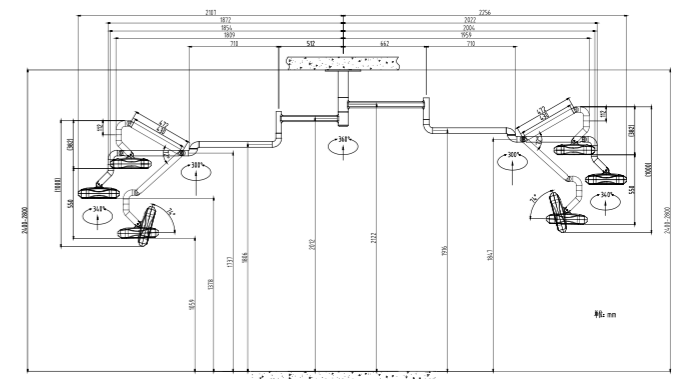


## DIMENSION CHART FOR DIFFERENT TYPE

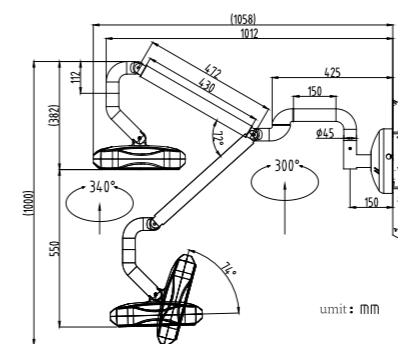
JD1700 LED PROCEDURE LAMP  
YOUR PARTNER IN LIGHTING



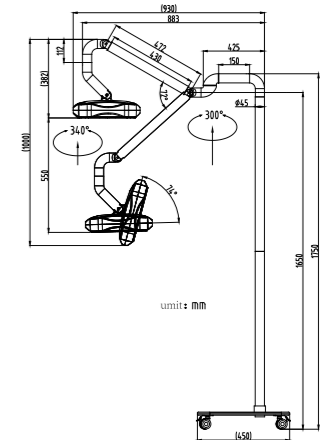
JD1700 SINGLE CEILING



JD1700 DOUBLE CEILING



JD1700 WALL MOUNTED



JD1700 PORTABLE MOBILE

Model:	JD1700 (Double Ceiling)	JD1700 (Single Ceiling)	JD1700L (Portable)	JD1700G (Wall Mounted)
Light Intensity MAX)	120,000LUX	80,000LUX	80,000LUX	80,000LUX
Brightness Adjustable:	10%-100% (Sensor)	10%-100% (Sensor)	10%- 100% (Sensor)	10%- 100%(Sensor)
Switch Control:	Sensor (Non-Touch)	Sensor (Non-Touch)	Sensor (Non-Touch)	Sensor(Non-Touch)
Voltage:	95-245V	95-245V	95-245V	95-245V
Power:	60W	30W	30W	30W
Bulb life:	50,000hrs	50,000hrs	50,000hrs	50,000hrs
Color Temperature:	5,000K	5,000K	5,000K	5,000K
Lamp head diameter:	370MM / 370MM	370MM	370MM	370MM
Facula diameter:	130mm -170MM	130mm -170MM	130mm -170MM	130mm -170MM
Number of LEDs:	12PCS/ 12PCS	12PCS	12PCS	12PCS
Lamp Head Weight:	2.2KGS / 2.2KGS	2.2KGS / 2.2KGS	2.2KGS / 2.2KGS	2.2KGS / 2.2KGS
Color Rendering Index:	>96	>96	>96	>96
R9:	>93	>93	>93	>93
Back Up Battery (6-8HRS)	/	/	Optional	/
Certifications :	CE, ISO13485, ISO9001, FDA, Free Sale Certificate, CFDA			



360 Degree  
Rotation



5000K  
CCT



0% - 100%  
Dimming

